



# Lab Master LGL500 Series

5.0 Purity Single Stage Nickel Plated Brass Barstock Diaphragm Line Regulator



The Lab Master LGL500 Series single stage diaphragm line regulators are designed for secondary pressure gas control of non-corrosive or toxic, high purity gases up to grade 5.0 purity (99.999%), on gas distribution systems.

■ **LGL500 Series** | Single Stage Diaphragm Line Regulator

## ★ FEATURES

- Four port configuration
- Rear panel mounting capabilities
- Encapsulated seat design
- Low wetted surface area
- Full range of inlet and outlet fittings
- Side entry

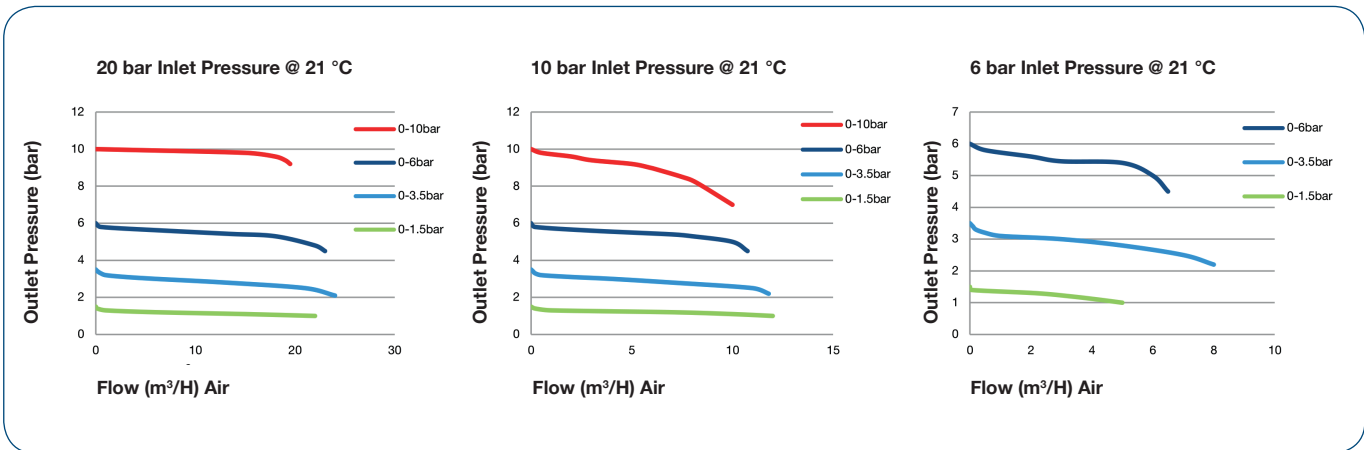
## 📄 MATERIAL

|             |                                |
|-------------|--------------------------------|
| ■ Body      | Nickel Plated Brass Barstock   |
| ■ Bonnet    | High Strength Alloy            |
| ■ Diaphragm | 316L Stainless Steel           |
| ■ Seal      | PTFE                           |
| ■ Seat      | Polyamide (Nylon®)             |
| ■ Filter    | 10 Micron 316L Stainless Steel |

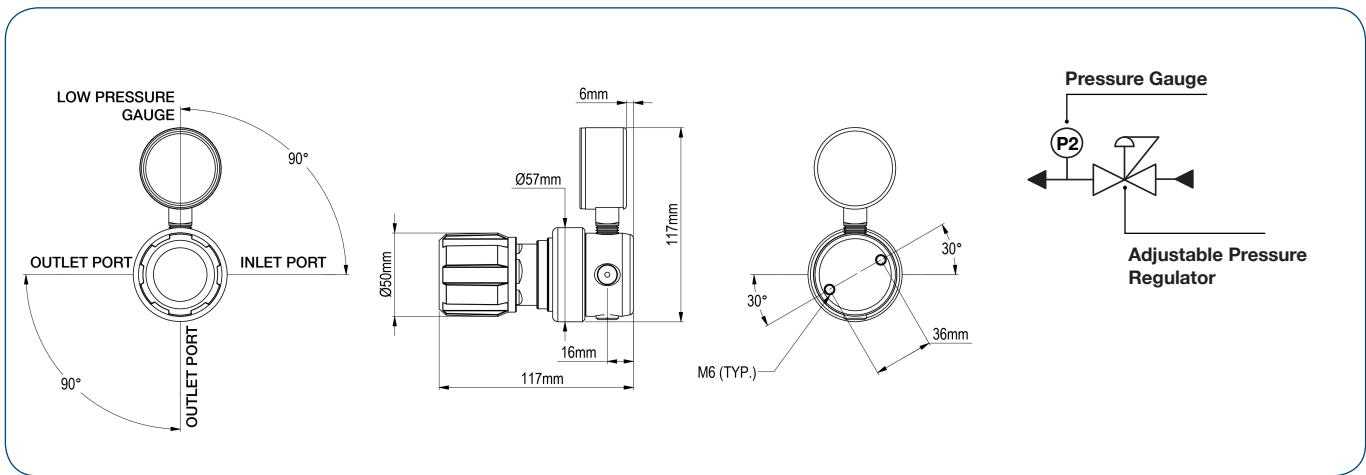
## 👍 SPECIFICATION

|                           |  |
|---------------------------|--|
| ■ Maximum Inlet Pressure  | 60 bar (870 PSI)   |
| ■ Delivery Pressure Range | 1.5 bar (22 PSI)<br>3.5 bar (50 PSI)<br>6 bar (90 PSI)<br>10 bar (150 PSI) |
| ■ Gauges                  | 50mm (2") Diameter   |
| ■ Ports                   | 1/4" NPT Female  |
| ■ Temperature Range       | -20° C to +60° C (-4° F to +140° F)  |
| ■ Flow Coefficient (Cv)   | 0.1  |
| ■ Weight                  | 1.1 kg (2.5 lb)  |

## ✓ FLOW PERFORMANCE



## DRAWINGS



## MODEL NO. SELECTOR GUIDE

Example for a Model No. for LGL500 Series

| LGL500-      | 02-                       | 02-                        | 00-                  | 00-                   | 001-                                | 01-  | A   |
|--------------|---------------------------|----------------------------|----------------------|-----------------------|-------------------------------------|--|---|
| Product Type | Inlet Pressure Bar [Psig] | Outlet Pressure Bar [Psig] | Inlet Pressure Gauge | Outlet Pressure Gauge | Inlet Connection                    | Outlet Connection  | Options                                   |
| LGL500       | 02 60 [870]               | 02 0 to 1.5 [22]           | 00 No Gauge Fitted   | 00 No Gauge Fitted    | 000 1/4 NPT Female                  | 00 1/4 NPT Female  | A No Options Selected                     |
|              |                           | 03 0 to 3.5 [50]           |                      | 01 bar/PSI            | 001 1/8 Stainless Steel Compression | 01 1/8 Stainless Steel Compression                             | K Certificate of Conformity (CoC)         |
|              |                           | 04 0 to 6 [90]             |                      | 10 Plugged port       | 002 1/4 Stainless Steel Compression | 02 1/4 Stainless Steel Compression                             | P Calibration / Pressure Test Certificate |
|              |                           | 05 0 to 10 [150]           |                      |                       | 003 6mm Stainless Steel Compression | 03 6mm Stainless Steel Compression                             | X Special Instruction                     |
|              |                           |                            |                      |                       | 004 1/4 NPT Male                    | 04 1/4 NPT Male  |   |
|              |                           |                            |                      |                       | 006 G1/2 BSP R/H Brass Male         | 06 G1/2 BSP R/H Brass Male                                     |   |
|              |                           |                            |                      |                       | 007 G3/8 BSP R/H Brass Male         | 07 G3/8 BSP R/H Brass Male                                     |   |
|              |                           |                            |                      |                       | 008 G3/8 BSP L/H Brass Male         | 08 G3/8 BSP L/H Brass Male                                     |   |
|              |                           |                            |                      |                       |                                     | 09 Isolation Valve, 1/4 NPT Female, FKM Seal                   |   |
|              |                           |                            |                      |                       |                                     | 10 Isolation Valve, 1/4 NPT Female, EPDM Seal                  |   |
|              |                           |                            |                      |                       |                                     | 11 Isolation Valve, 1/8 Stainless Steel Compression, FKM Seal  |   |
|              |                           |                            |                      |                       |                                     | 12 Isolation Valve, 1/8 Stainless Steel Compression, EPDM Seal |   |
|              |                           |                            |                      |                       |                                     | 13 Isolation Valve, 1/4 Stainless Steel Compression, FKM Seal  |   |
|              |                           |                            |                      |                       |                                     | 14 Isolation Valve, 1/4 Stainless Steel Compression, EPDM Seal |   |
|              |                           |                            |                      |                       |                                     | 15 Isolation Valve, 6 mm Stainless Steel Compression, FKM Seal |   |
|              |                           |                            |                      |                       |                                     | 16 Isolation Valve, 6mm Stainless Steel Compression, EPDM Seal |   |
|              |                           |                            |                      |                       |                                     | 17 Isolation Valve, 1/4 NPT Male, FKM Seal                     |   |
|              |                           |                            |                      |                       |                                     | 18 Isolation Valve, 1/4 NPT Male, EPDM Seal                    |   |
|              |                           |                            |                      |                       |                                     | 19 Isolation Valve, G3/8 BSP R/H Brass Male, FKM Seal          |   |
|              |                           |                            |                      |                       |                                     | 20 Isolation Valve, G3/8 BSP R/H Brass Male, EPDM Seal         |   |
|              |                           |                            |                      |                       |                                     | 21 Isolation Valve, G3/8 BSP L/H Brass Male, FKM Seal          |   |
|              |                           |                            |                      |                       |                                     | 22 Isolation Valve, G3/8 BSP L/H Brass Male, EPDM Seal         |   |

Distributed By



Greyhound Chromatography and Allied Chemicals  
6 Kelvin Park  
Birkenhead  
Merseyside, CH41 1LT

Tel: 0151 649 4000 Fax: 0151 649 4001  
Email: [info@greyhoundchrom.com](mailto:info@greyhoundchrom.com)  
Web: <https://www.greyhoundchrom.com>

**GASARC**  
AN ESAB BRAND

[www.esabspecgas.com](http://www.esabspecgas.com)