



Lab Master LGL510 Series

5.0 Purity Single Stage Nickel Plated Brass Barstock Diaphragm Line Regulator for Acetylene



The Lab Master LGL510 Series single stage diaphragm line regulators are designed for secondary pressure gas control of high purity Acetylene gas up to grade 5.0 purity (99.999%), on gas distribution systems.

■ **LGL510 Series** | Single Stage Diaphragm Line Regulator – Acetylene

★ FEATURES

- Four port configuration
- Rear panel mounting capabilities
- Encapsulated seat design
- Low wetted surface area
- Full range of inlet and outlet fittings
- Side entry

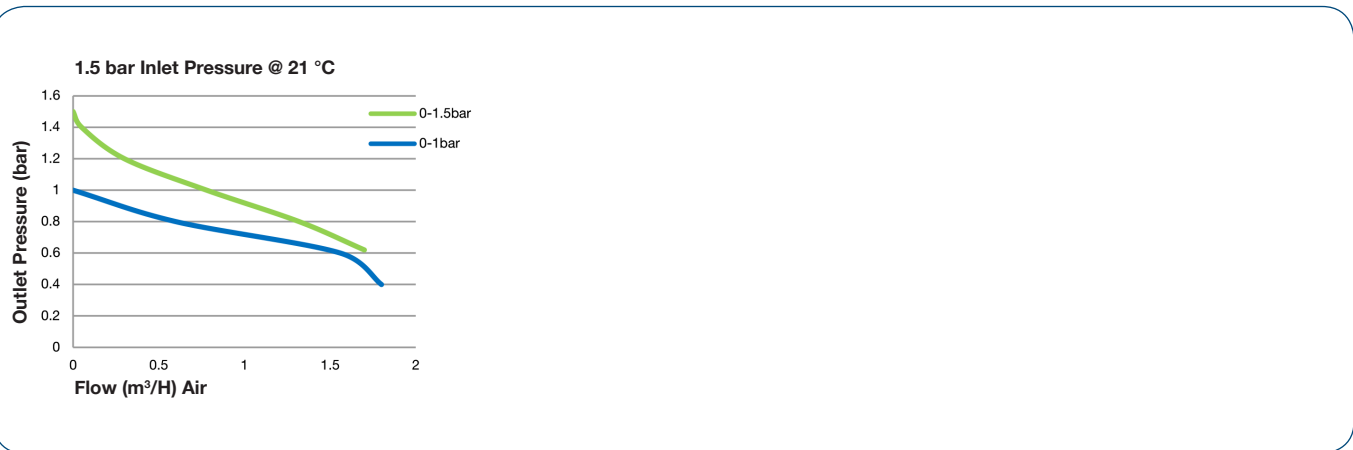
🔧 MATERIAL

■ Body	Nickel Plated Brass Barstock
■ Bonnet	High Strength Alloy
■ Diaphragm	316L Stainless steel
■ Seal	PTFE
■ Seat	Polyamide (Nylon®)
■ Filter	10 Micron 316L Stainless Steel

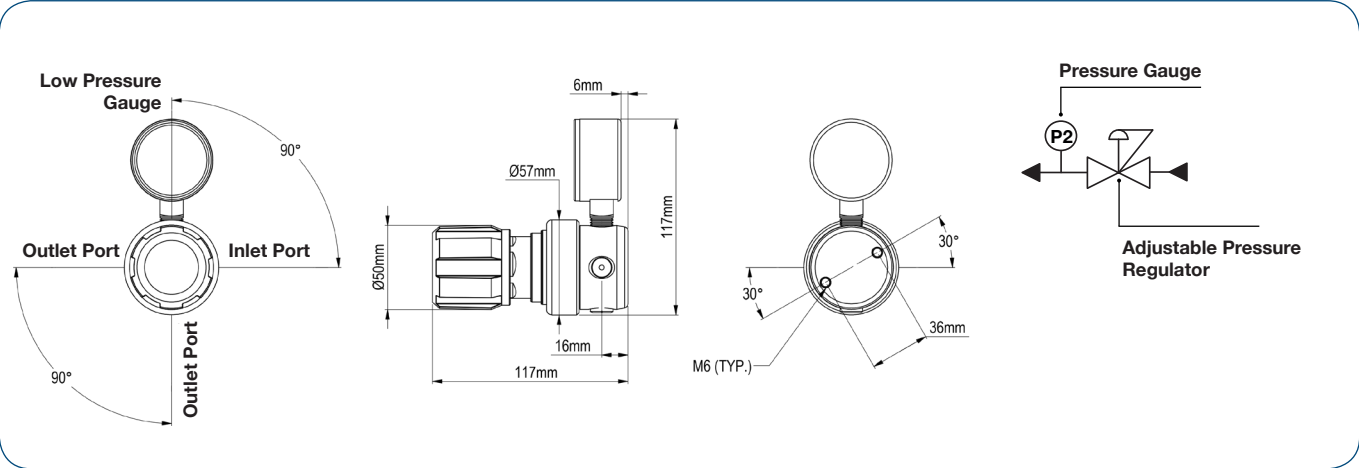
👍 SPECIFICATION

■ Maximum Inlet Pressure	1.5 bar (22 PSI)
■ Delivery Pressure Range	1.0 bar (15 PSI) 1.5 bar (22 PSI)
■ Gauges	50mm (2") Diameter
■ Ports	1/4" NPT Female
■ Temperature Range	-20° C to +60° C (-4° F to +140° F)
■ Flow Coefficient (Cv)	0.1
■ Weight	1.1 kg (2.5 lb)

✓ FLOW PERFORMANCE



DRAWINGS



MODEL NO. SELECTOR GUIDE

Example for a Model No. for LGL510 Series

LGL510-	07-	02-	00-	00-	00-	001-	01-	A
Product Type	Inlet Pressure Bar [PSI]	Outlet Pressure Bar [PSI]	Inlet Pressure Gauge	Outlet Pressure Gauge	Inlet Connection	Outlet Connection	Options	
LGL510	07 1.5 [22]	01 0 to 1.0 [15]	00 No Gauge Fitted	00 No Gauge Fitted	000 1/4 NPT Female	00 1/4 NPT Female	A No Options Selected	
		02 0 to 1.5 [22]		01 bar/PSI	001 1/8 Stainless Steel Compression	01 1/8 Stainless Steel Compression	K Certificate of Conformity (CoC)	
				10 Plugged Port	002 1/4 Stainless Steel Compression	02 1/4 Stainless Steel Compression	P Calibration / Pressure Test Certificate	
					003 6mm Stainless Steel Compression	03 6mm Stainless Steel Compression	X Special Instruction	
					004 1/4 NPT Male	04 1/4 NPT Male		
					008 G3/8 BSP L/H Brass Male	08 G3/8 BSP L/H Brass Male		
						10 Isolation Valve, 1/4 NPT Female, EPDM Seal		
						12 Isolation Valve, 1/8 Stainless Steel Compression, EPDM Seal		
						14 Isolation Valve, 1/4 Stainless Steel Compression, EPDM Seal		
						16 Isolation Valve, 6mm Stainless Steel Compression, EPDM Seal		
						18 Isolation Valve, 1/4 NPT Male, EPDM Seal		
						22 Isolation Valve, G3/8 BSP R/H Brass Male, EPDM Seal		

Distributed By



Greyhound

CHROMATOGRAPHY

Greyhound Chromatography and Allied Chemicals
6 Kelvin Park
Birkenhead
Merseyside, CH41 1LT

Tel: 0151 649 4000 Fax: 0151 649 4001
Email: info@greyhoundchrom.com
Web: <https://www.greyhoundchrom.com>