



# Lab Master LGS500 Series

5.0 Purity Single Stage Nickel Plated Brass Barstock Diaphragm  
Cylinder Regulator



The Lab Master LGS500 Series single stage diaphragm cylinder regulators are designed for primary pressure gas control of non-corrosive or toxic, high purity gases up to grade 5.0 purity (99.999%), on applications where slight variation from decreasing cylinder pressure is acceptable.

- **LGS501 Series** | Single Stage Diaphragm Cylinder Regulator, FKM Pressure Relief Valve
- **LGS502 Series** | Single Stage Diaphragm Cylinder Regulator, EPDM Pressure Relief Valve

## ★ FEATURES

- Six port configuration
- Rear panel mounting capabilities
- Encapsulated seat design
- Low wetted surface area
- Full range of inlet and outlet fittings
- Side entry

## 📦 MATERIAL

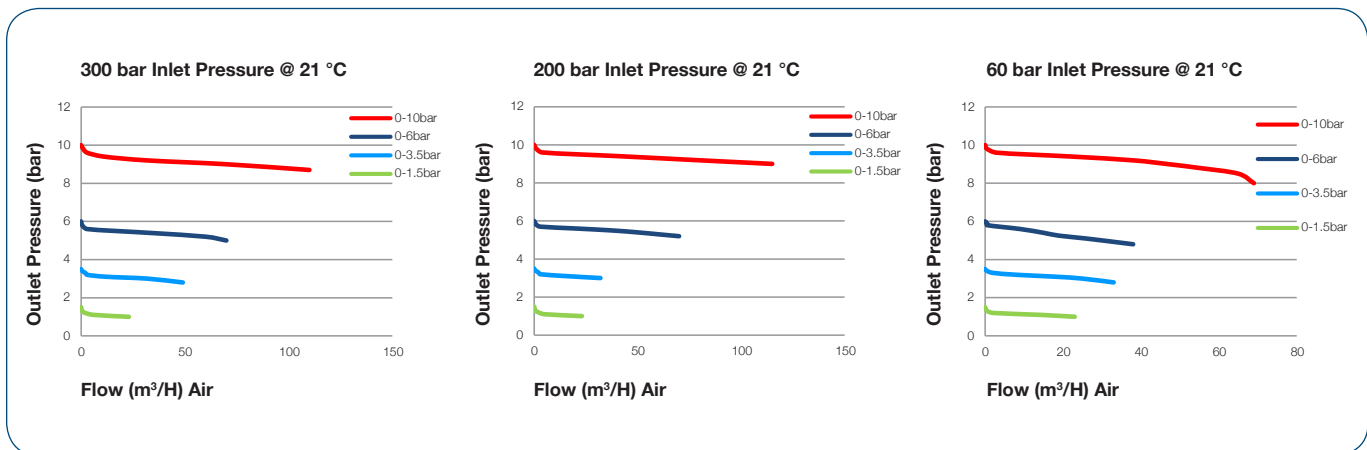
▪ <b>Body</b>	Nickel Plated Brass Barstock
▪ <b>Bonnet</b>	High Strength Alloy
▪ <b>Diaphragm</b>	316L Stainless Steel
▪ <b>Bonnet Seal</b>	PTFE
▪ <b>Seal</b>	FKM / EPDM
▪ <b>Valve Seat</b>	Polyamide (Nylon®)
▪ <b>Filter</b>	10 Micron 316L Stainless Steel

## 👍 SPECIFICATION

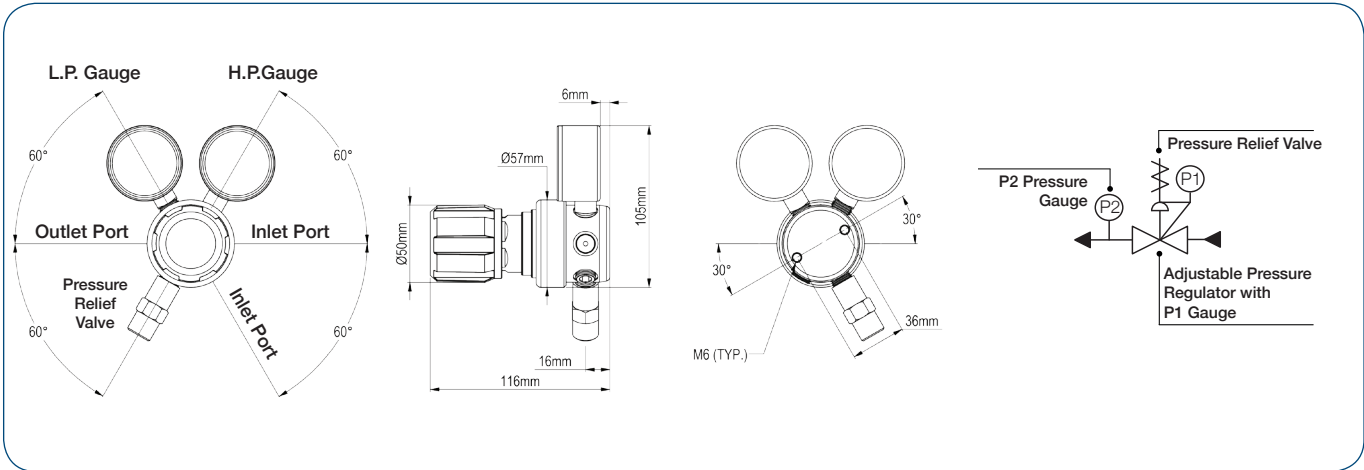
▪ <b>Maximum Inlet Pressure</b>	60 bar (870 PSI) 300 bar (4350 PSI) *
▪ <b>Delivery Pressure Range</b>	1.5 bar (22 PSI) 3.5 bar (50 PSI) 6 bar (90 PSI) 10 bar (150 PSI)
▪ <b>Gauges</b>	50mm (2") Diameter
▪ <b>Ports</b>	1/4" NPT Female
▪ <b>Temperature Range</b>	-20° C to +60° C (-4° F to +140° F)
▪ <b>Flow Coefficient (Cv)</b>	0.1
▪ <b>Weight</b>	1.2 kg (2.7 lb) **

\* Subject to cylinder connection – \*\* Cylinder connection not included

## ✓ FLOW PERFORMANCE



# DRAWINGS



# MODEL NO. SELECTOR GUIDE

Example for a Model No. for LGS500 Series

Product Type	Inlet Pressure Bar [PSI]	Outlet Pressure Bar [PSI]	Inlet Pressure Gauge	Outlet Pressure Gauge	Inlet/Cylinder Connection	Outlet Connection	Options
LGS501	02 60 [870]	02 0 to 1.5 [22]	00 No Gauge Fitted	00 No Gauge Fitted	000 No Inlet Fitted	00 Ohne Verschraubung (1/4" NPT F)	A No Options Selected
LGS502	04 300 [4350]	03 0 to 3.5 [50]	01 bar/PSI	01 bar/PSI	001 1/8 Stainless Steel Compression	01 1/8 Stainless Steel Compression	B Regulator Tee Purge FKM
		04 0 to 6 [90]	10 Plugged Port	10 Plugged Port	002 1/4 Stainless Steel Compression	02 1/4 Stainless Steel Compression	C Regulator Tee Purge EPDM
		05 0 to 10 [150]			003 6mm Stainless Steel Compression	03 6mm Stainless Steel Compression	K Certificate of Conformity (CoC)
					004 1/4 NPT Male	04 1/4 NPT Male	P Calibration / Pressure Test Certificate
					007 G3/8 BSP R/H Brass Male	07 G3/8 BSP R/H, Brass, Male	X Special Instruction
					008 G3/8 BSP L/H Brass Male	08 G3/8 BSP L/H, Brass, Male	
					009 BS341 No.3 (Base Entry)	09 Isolation Valve, 1/4 NPT Female, FKM Seal	
					010 BS341 No.3	10 Isolation Valve, 1/4 NPT Female, EPDM Seal	
					012 BS341 No.4	11 Isolation Valve, 1/8 Stainless Steel Compression, FKM Seal	
					015 BS341 No.8	12 Isolation Valve, 1/8 Stainless Steel Compression, EPDM Seal	
					030 DIN477 No.6	13 Isolation Valve, 1/4 Stainless Steel Compression, FKM Seal	
					033 DIN477 No.9	14 Isolation Valve, 1/4 Stainless Steel Compression, EPDM Seal	
					034 DIN477 No.10	15 Isolation Valve, 6mm Stainless Steel Compression, FKM Seal	
					045 CGA320	16 Isolation Valve, 6mm Stainless Steel Compression, EPDM Seal	
					052 CGA540	17 Isolation Valve, 1/4 NPT Male, FKM Seal	
					053 CGA580	18 Isolation Valve, 1/4 NPT Male, EPDM Seal	
					For our complete range of cylinder connections refer to 'Cylinder Connections Data'	19 Isolation Valve, G3/8 BSP R/H Brass Male, FKM Seal	
						20 Isolation Valve, G3/8 BSP R/H Brass Male, EPDM Seal	
						21 Isolation Valve, G3/8 BSP L/H Brass Male, FKM Seal	
						22 Isolation Valve, G3/8 BSP L/H Brass Male, EPDM Seal	

Distributed By

**Greyhound**  
CHROMATOGRAPHY

Greyhound Chromatography and Allied Chemicals  
6 Kelvin Park  
Birkenhead  
Merseyside, CH41 1LT

Tel: 0151 649 4000 Fax: 0151 649 4001  
Email: info@greyhoundchrom.com  
Web: https://www.greyhoundchrom.com