



AN **ESAB** BRAND

Spec Master HPL620 Series

6.0 Purity Single Stage Nickel Plated Brass Barstock
Piston Line Regulator



The **Spec Master HPL620** Series single stage piston line regulators are designed for secondary pressure gas control of non-corrosive or toxic, high purity gases up to grade 6.0 purity (99.9999%), on gas distribution systems.

- **HPL621** Series | Single Stage Piston Line Regulator, FKM Seal
- **HPL622** Series | Single Stage Piston Line Regulator, EPDM Seal

★ FEATURES

- Four port configuration
- Front & rear panel mounting capabilities
- Encapsulated seat design
- Low wetted surface area
- Full range of inlet and outlet fittings
- Base and side entry

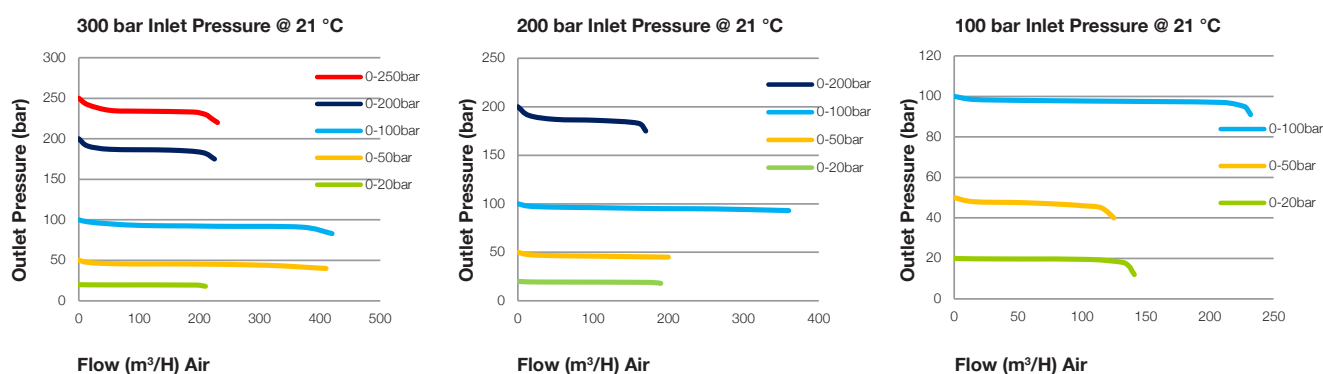
📁 MATERIAL

■ Body	Nickel Plated Brass Barstock
■ Bonnet	Nickel Plated Brass Barstock
■ Piston	Brass
■ Seal	FKM / EPDM
■ Seat	PCTFE
■ Filter	10 Micron 316L Stainless Steel

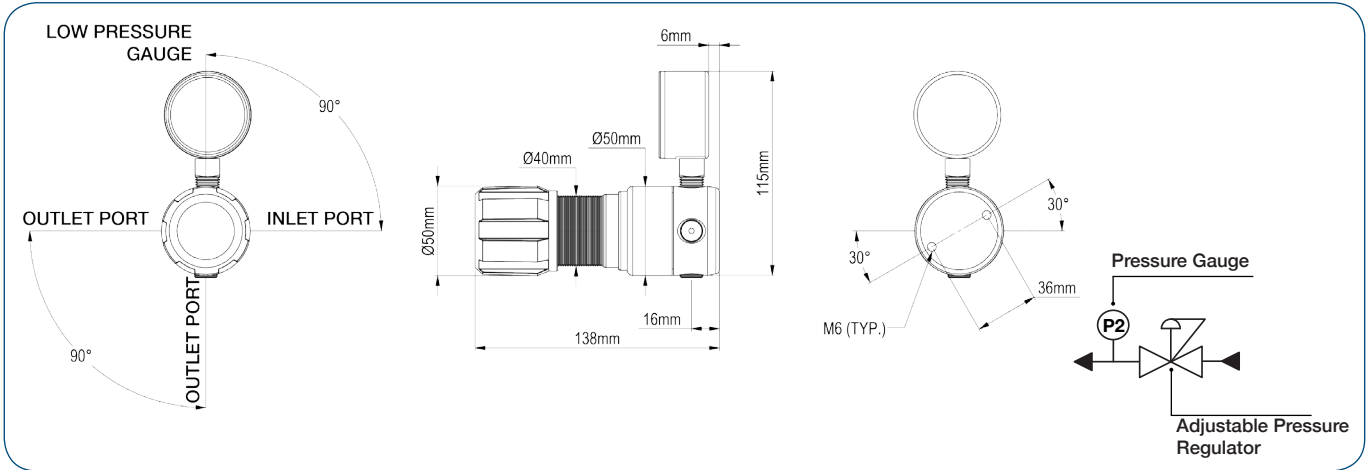
👍 SPECIFICATION

■ Maximum Inlet Pressure	300 bar (4350 PSI)
■ Delivery Pressure Range	20 bar (300 PSI) 50 bar (725 PSI) 100 bar (1450 PSI) 200 bar (2900 PSI) 250 bar (3625 PSI)
■ Gauges	50mm (2") Diameter
■ Ports	1/4" NPT Female
■ Temperature Range	-20° C to +60° C (-4° F to +140° F)
■ Flow Coefficient (Cv)	0.1
■ Helium Leak Integrity	1 x 10 ⁻⁹ mbar l/s
■ Weight	1.4 kg (3.1 lb)

✓ FLOW PERFORMANCE



DRAWINGS



MODEL NO. SELECTOR GUIDE

Example for a Model No. for HPL620 Series

Product Type	Inlet Pressure Bar [PSI]	Outlet Pressure Bar [PSI]	Inlet Pressure Gauge	Outlet Pressure Gauge	Inlet Connection	Outlet Connection	Options
HPL621-	04- 300 bar [4350]	07- 0 to 20 [300]	00- No Gauge Fitted	00- No Gauge Fitted	000- 1/4 NPT Female	00- 1/4 NPT Female	A- No Options Selected
HPL622		10- 0 to 50 [725]		01- bar/PSI	001- 1/8 Stainless Steel Compression	01- 1/8 Stainless Steel Compression	F- Bonnet Vent Kit
		11- 0 to 100 [1450]		10- Plugged Port	002- 1/4 Stainless Steel Compression	02- 1/4 Stainless Steel Compression	G- Helium Test Certificate
		12- 0 to 200 [2900]			003- 6mm Stainless Steel Compression	03- 6mm Stainless Steel Compression	K- Certificate of Conformity (CoC)
		13- 0 to 250 [3625]			004- 1/4 NPT Male	04- 1/4 NPT Male	L- Panel Mount Locking Nut Kit
					007- G3/8 BSP R/H Brass Male	07- G3/8 BSP R/H Brass Male	P- Calibration / Pressure Test Certificate
					008- G3/8 BSP L/H Brass Male	08- G3/8 BSP L/H Brass Male	X- Special Instruction
						09- Isolation Valve, 1/4 NPT Female, FKM Seal	
						10- Isolation Valve, 1/4 NPT Female, EPDM Seal	
						11- Isolation Valve, 1/8 Stainless Steel Compression, FKM Seal	
						12- Isolation Valve, 1/8 Stainless Steel Compression, EPDM Seal	
						13- Isolation Valve, 1/4 Stainless Steel Compression, FKM Seal	
						14- Isolation Valve, 1/4 Stainless Steel Compression, EPDM Seal	
						15- Isolation Valve, 6mm Stainless Steel Compression, FKM Seal	
						16- Isolation Valve, 6mm Stainless Steel Compression, EPDM Seal	
						17- Isolation Valve, 1/4 NPT Male, FKM Seal	
						18- Isolation Valve, 1/4 NPT Male, EPDM Seal	
						19- Isolation Valve, G3/8 BSP R/H Brass Male, FKM Seal	
						20- Isolation Valve, G3/8 BSP R/H Brass Male, EPDM Seal	
						21- Isolation Valve, G3/8 BSP L/H Brass Male, FKM Seal	
						22- Isolation Valve, G3/8 BSP L/H Brass Male, EPDM Seal	

Distributed By



Greyhound
CHROMATOGRAPHY

Greyhound Chromatography and Allied Chemicals
6 Kelvin Park
Birkenhead
Merseyside, CH41 1LT

Tel: 0151 649 4000 Fax: 0151 649 4001
Email: info@greyhoundchrom.com
Web: https://www.greyhoundchrom.com