



Tech Master GPS400 Series

4.5 Purity Single Stage Brass Barstock Diaphragm Cylinder Regulator



The Tech Master GPS400 Series single stage diaphragm cylinder regulators are designed for primary pressure gas control of non-corrosive or toxic, technical gases up to grade 4.5 purity (99.995%), on applications where slight variation from decreasing cylinder pressure is acceptable.

■ **GPS400 Series** | Single Stage Diaphragm Cylinder Regulator

★ FEATURES

- Five port configuration
- Rear panel mounting capabilities
- Encapsulated seat design
- Low wetted surface area
- Full range of inlet and outlet fittings
- Base and side entry

📄 MATERIAL

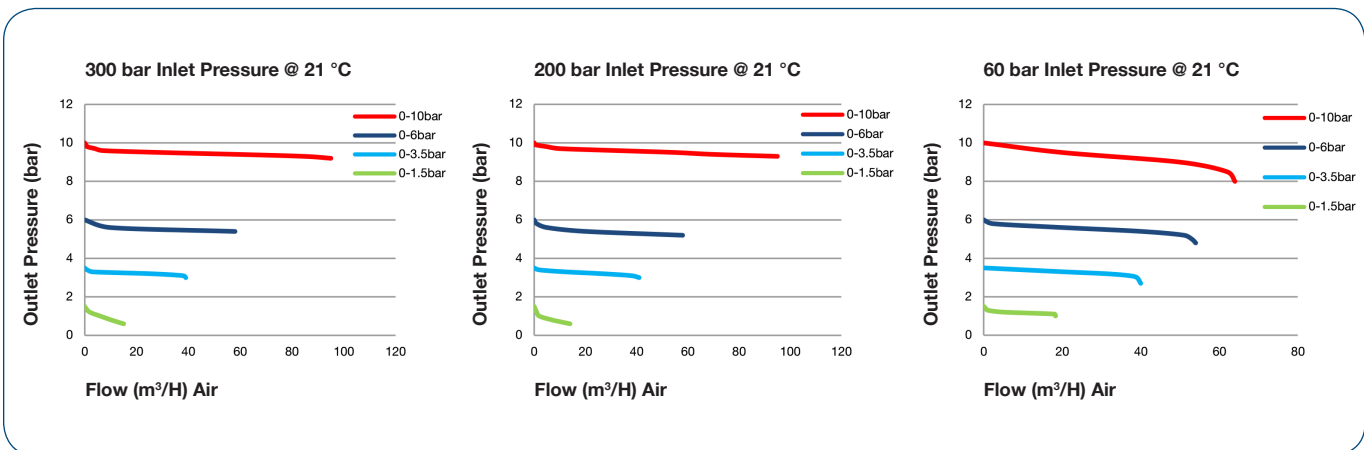
■ Body	Brass Barstock
■ Bonnet	High Strength Alloy
■ Diaphragm	Polychloroprene (Neoprene®) (CR)
■ Valve Seat	Polyamide (Nylon®)
■ Filter	10 Micron 316L Stainless Steel

👍 SPECIFICATION

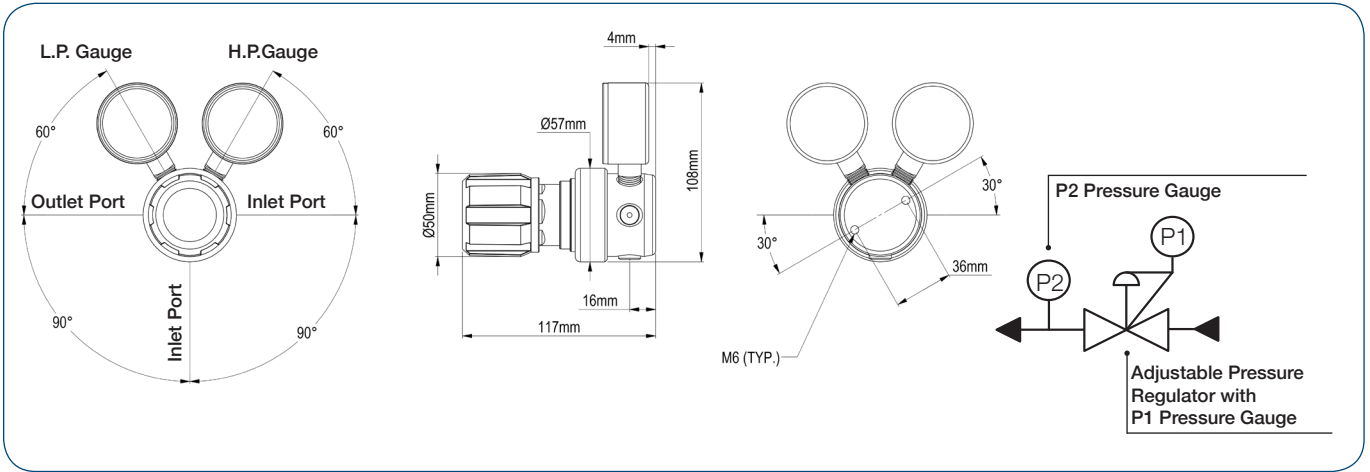
■ Maximum Inlet Pressure	60 bar (870 PSI) 300 bar (4350 PSI) *
■ Delivery Pressure Range	1.5 bar (22 PSI) 3.5 bar (50 PSI) 6 bar (90 PSI) 10 bar (150 PSI)
■ Gauges	50mm (2") Diameter
■ Ports	1/4" NPT Female
■ Temperature Range	-20° C to +60° C (-4° F to +140° F)
■ Flow Coefficient (Cv)	0.1
■ Weight	1.2 kg (2.7 lbs) ** EN ISO 2503 Compliant

* Subject to cylinder connection – ** Cylinder connection not included

✓ FLOW PERFORMANCE



DRAWINGS



1 2 3 MODEL NO. SELECTOR GUIDE

Example for a Model No. for GPS400 Series

GPS400-	02-	02-	00-	00-	000-	00-	A
Product Type	Inlet Pressure Bar [PSI]	Outlet Pressure Bar [PSI]	Inlet Pressure Gauge	Outlet Pressure Gauge	Inlet/Cylinder Connection	Outlet Connection	Options
GPS400	02 60 [870]	02 0 to 1.5 [22]	00 No Gauge Fitted	00 No Gauge Fitted	000 1/4" NPT Female	00 1/4" NPT Female	A No Options Selected
	04 300 [4350]	03 0 to 3.5 [50]	01 bar/PSI	01 bar/PSI	001 1/8 Stainless Steel Compression	01 1/8 Stainless Steel Compression	K Certificate of Conformity
		04 0 to 6 [90]	10 Plugged Port	10 Plugged Port	002 1/4 Stainless Steel Compression	02 1/4 Stainless Steel Compression	P Calibration/ Pressure Test Certificate
		05 0 to 10 [150]			003 6mm Stainless Steel Compression	03 6mm Stainless Steel Compression	X Special Instruction
					004 1/4 NPT Male	04 1/4 NPT Male	
					007 G3/8 BSP R/H Brass Male	05 1/4 SAE Flare Brass Male	
					008 G3/8 BSP L/H Brass Male	06 G1/2 BSP R/H, Brass, Male	
					009 BS341 No.3 (Base Entry)	07 G3/8 BSP R/H, Brass, Male	
					010 BS341 No.3	08 G3/8 BSP L/H, Brass, Male	
					011 BS341 No.4 (Base Entry)	09 Isolation Valve, 1/4 NPT Female, FKM Seal	
					012 BS341 No.4	10 Isolation Valve, 1/4 NPT Female, EPDM Seal	
					015 BS341 No.8	11 Isolation Valve, 1/8 Stainless Steel Compression, FKM Seal	
					030 DIN477 No.6	12 Isolation Valve, 1/8 Stainless Steel Compression, EPDM Seal	
					033 DIN477 No.9	13 Isolation Valve, 1/4 Stainless Steel Compression, FKM Seal	
					034 DIN477 No.10	14 Isolation Valve, 1/4 Stainless Steel Compression, EPDM Seal	
					045 CGA320	15 Isolation Valve, 6mm Stainless Steel Compression, FKM Seal	
					052 CGA540	16 Isolation Valve, 6mm Stainless Steel Compression, EPDM Seal	
					053 CGA580	17 Isolation Valve, 1/4 NPT Male, FKM Seal	
					<i>For our complete range of cylinder connections refer to 'ICONTGEN-Tech/Master Cylinder Connections data sheet'</i>	18 Isolation Valve, 1/4 NPT Male, EPDM Seal	
						19 Isolation Valve, G3/8 BSP R/H Brass Male, FKM Seal	
						20 Isolation Valve, G3/8 BSP R/H Brass Male, EPDM Seal	
						21 Isolation Valve, G3/8 BSP L/H Brass Male, FKM Seal	
						22 Isolation Valve, G3/8 BSP L/H Brass Male, EPDM Seal	

Distributed By



Greyhound Chromatography and Allied Chemicals
6 Kelvin Park
Birkenhead
Merseyside, CH41 1LT

Tel: 0151 649 4000 Fax: 0151 649 4001
Email: info@greyhoundchrom.com
Web: https://www.greyhoundchrom.com

GASARC
AN ESAB BRAND

www.esabspecgas.com